

AFF REEL SCREEN PRODUCT SPECIFICATIONS



SIFTER BRAND: _____ SIFTER MODEL: _____
 CUSTOMER: _____ AFF REP: _____

(Sample Description)

SCREEN, REEL-TYPE, fabric x-xxx/xx (xxx MESH), xxx" DIA. X xxx" LONG, xxx" WIDE [material] SEAM, xxx" WIDE [material] EDGES, BOTH ENDS. (FITS {brand & model})

#	DIMENSIONS	TYPICAL	CUSTOMER'S SPECS
1	Diameter:		
2	Circumference:		
3	Flat Width:		
4	Overall Length:		
5	Width of Edge A:		
6	Material:		
7	Options:		
8	Width of Edge B:		
9	Material:		
10	Options:		
11	Width of Join Seam:		
12	Material:		
13	Label for Color Code:		

COMMON OPTIONS

#13 Label Color Codes

Pink	Red	Yellow
Black	Green	Blue
Orange	Combo	

NOTE TO RESELLERS: AFF manufacturer identification tag may be omitted upon request.

Webbing Widths

Flat /Seam > Folded/Bond Edge

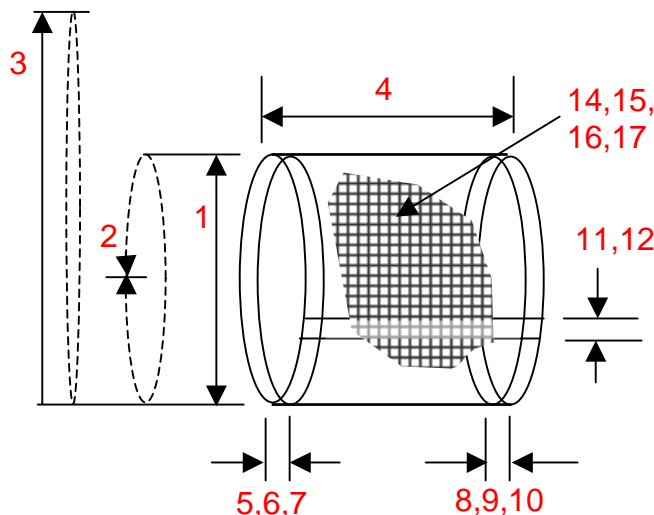
Nylon	Cotton		
1"	1"	>	1/2"
1-1/2"	1-1/2"	>	3/4"
2"		>	1"
2-3/4"		>	1-3/8"
3-1/4"		>	1-5/8"
	3-1/2"	>	1-3/4"
4"	4"	>	2"
5"		>	2-1/2"

VERIFY CUSTOMER'S FABRIC SPECS HERE

CLOTHING

14	Fabric Material:		
15	Numeric Description:		
16	Micron Opening Size:		
17	Mesh Count:		

FABRIC NOTE: Same Size Reel Screens with stock fabrics from about 60 to 200 Mesh (250 to 75 Micron) can sometimes be grouped together for quantity pricing. CALL for details.



VARIATIONS (by line number)

- 6, 9 – Bond Edge (various widths available)
- 11 – Sewn Seam, adhesive coated
- 14 – Polyester Multifilament, Stainless Steel (Inquire about availability)
- 15 – (Refer to Fabric Books)

SELLING PRICE (stock fabrics)

Quantity	Price each
___ to ___ units	\$ _____
_____ + units	\$ _____
Estimated Lead Time	_____